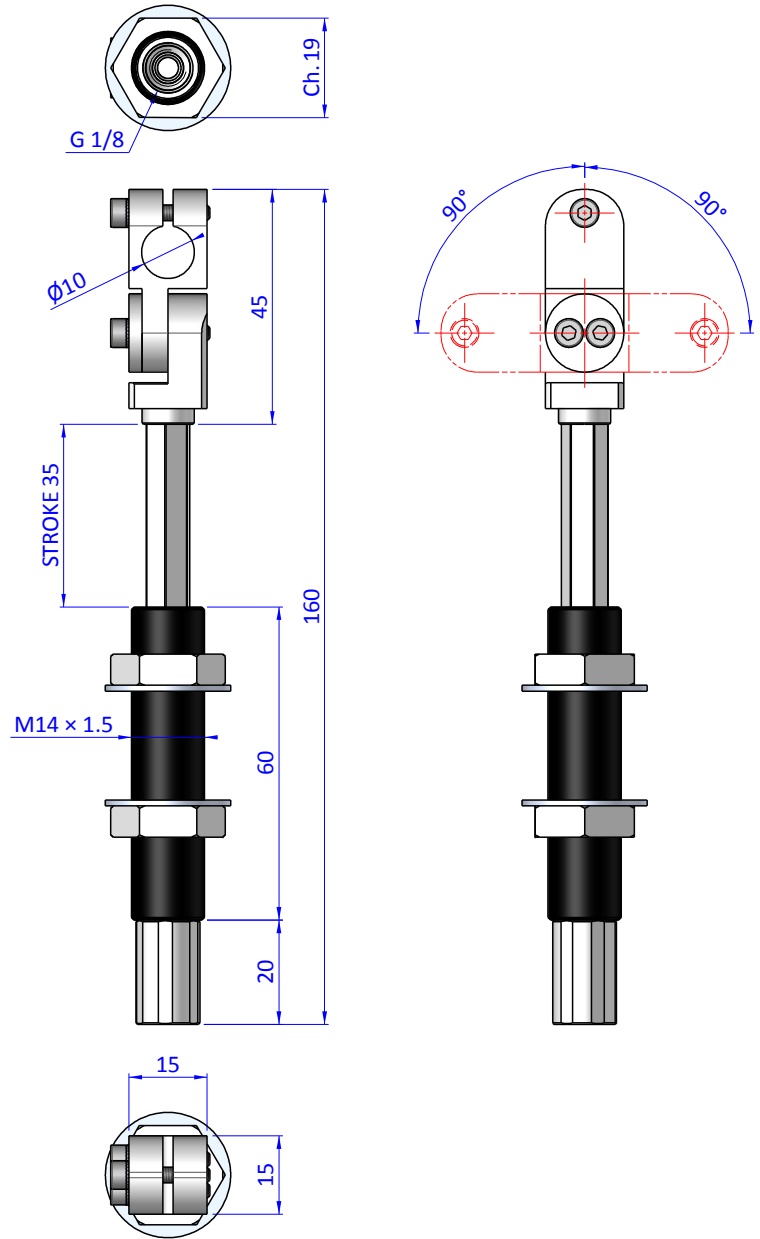
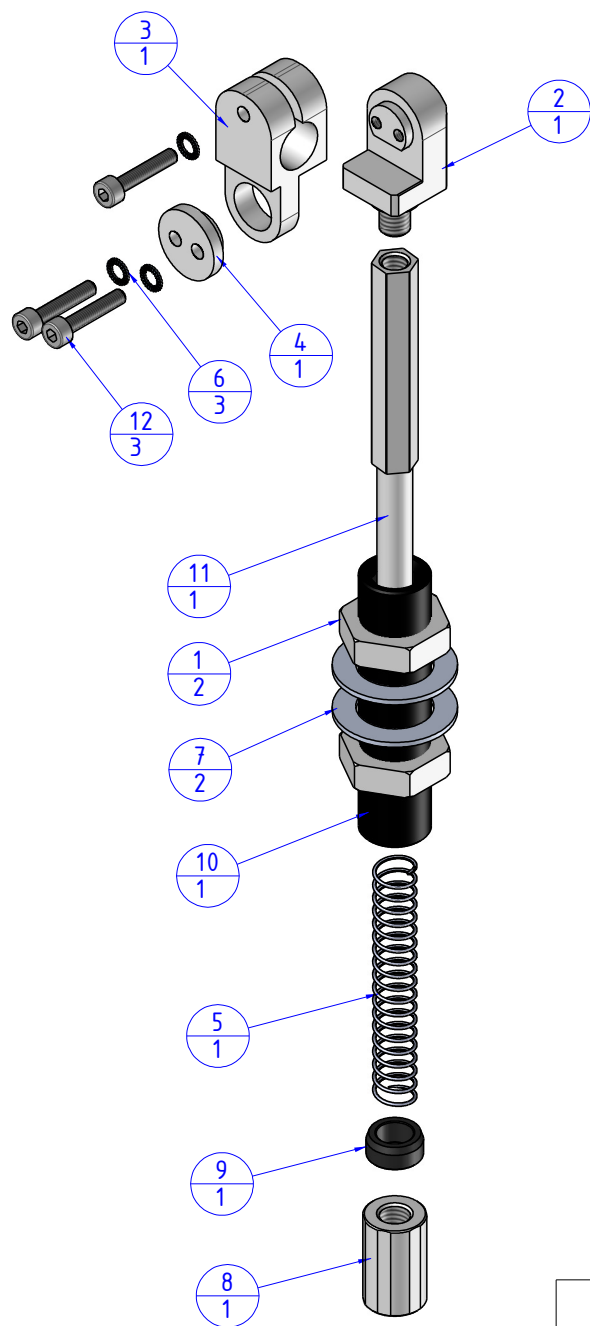


THE PROPERTY OF THE DRAWING IS ESTABLISHED BY LAW. IT IS FORBIDDEN TO PRODUCE OR SHOW IT TO THIRD PARTY, WITHOUT A WRITTEN AGREEMENT.

| Object Number | Name          | QTY |
|---------------|---------------|-----|
| 1             | 05.01.001.06  | 2   |
| 2             | GRZ.142010.1  | 1   |
| 3             | GVR.10.2      | 1   |
| 4             | GVR.10.3      | 1   |
| 5             | M.8.5X48.50.1 | 1   |
| 6             | R.3.SCH       | 3   |
| 7             | R.14.SCH      | 2   |
| 8             | VSN.14.1      | 1   |
| 9             | VSN.1420.3    | 1   |
| 10            | VSNG.1435.2.1 | 1   |
| 11            | VSN.1435.4    | 1   |
| 12            | V.TCE3x16     | 3   |



Format A3  
UNI 936-76

|                   |  |                         |         |                |
|-------------------|--|-------------------------|---------|----------------|
|                   |  | DESIGNED FROM           |         | REVIEW         |
|                   |  | FPSERVICES              |         | A              |
| GENERAL TOLERANCE |  | DATE                    | WEIGHT  |                |
| UNI - ISO 2768    |  | 07/02/2019              | 0,060kg |                |
| CLASSE F          |  | CODE                    |         |                |
|                   |  | CA.SMNG.143510(Default) |         | CA.SMNG.143510 |